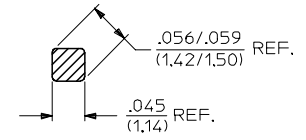
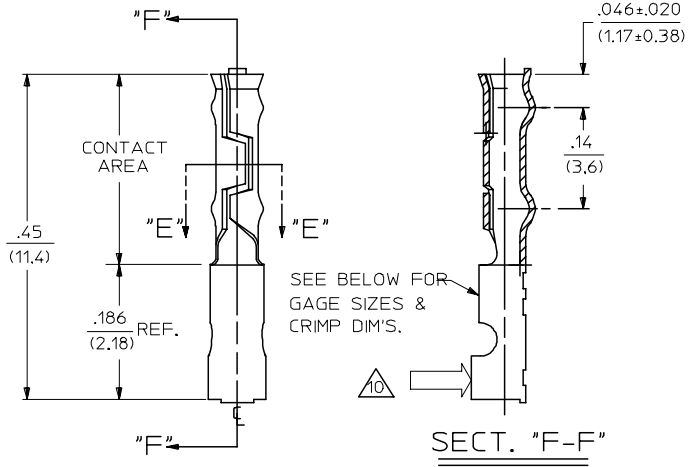


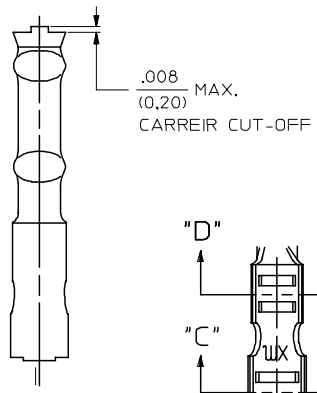
SECT. "E-E"



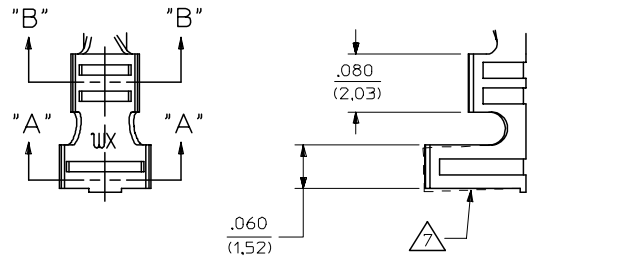
CROSS SECTION OF .045/(1.14) SQUARE PIN.
 FOR USE WITH .053/(1.35) BARREL I.D.



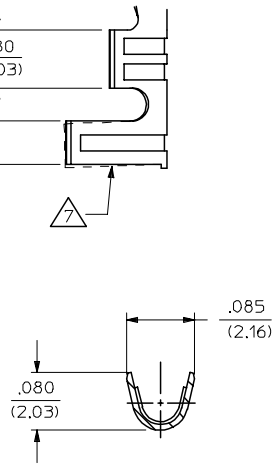
18-24 AWG WIRE



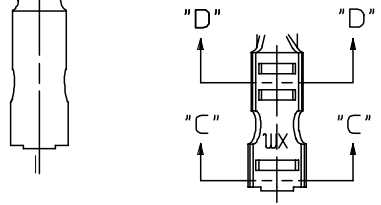
24-30 AWG WIRE



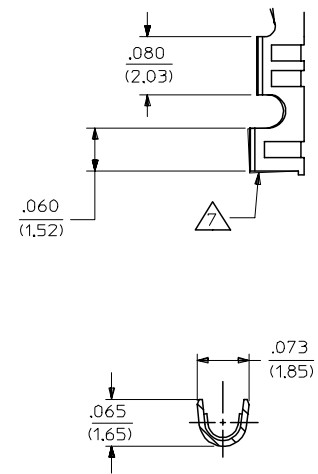
SECT. "A-A"



SECT. "B-B"



SECT. "C-C"



SECT. "D-D"

AM	REVISED/REDRAWN UCP2004-1861 RHOLTS 8/05/04
AL	UCR2002-0270 COMERCI 01/10/11
AK2	REL -2C6P2 ECR #U6 1169 3-26-96 RW
AK1	REL -2B5P2 ECR #U1 0762 4-10-91 RW
AK	REVISE EDP NO. PER ECR U0 0828 GC 10/18/90 RW
AJ	REL -1B6P2, REV. NOTE 9, #U0 0812 10-15-90 RW
AH	REL -2H6P1 ECR #U0 0437 GC 7/12/90 RW
AG	REL -2C5P1 ECR #U0 0225 2-23-90 RW
AF	ADD -P108 OPTION ECR #U9 1253 1-15-90 RW
AE	REL -1B5P1-1B5P2 ECR #U9 1139 11-2-89 RW
AD	REVISED PER ECR #U9 0604 08-11-89 RW
AC	REV. & REDRAWN ECR U6 1148 SEP 9-8-87 RW

REVISED/REDRAWN EC NO: UCP2004-1861 DRW:RHOLTS 2004/08/06 CHKD:FSMITH 2004/08/09 APPR:FSMITH 2004/08/10	QUALITY SYMBOLS ▽ = 0 ▽ = 0	GENERAL TOLERANCES (UNLESS SPECIFIED)	SCALE 8:1	DESIGN UNITS INCH	THIRD ANGLE PROJECTION	REVISE ON CAD ONLY													
		<table border="1"> <tr> <th></th> <th>mm</th> <th>INCH</th> </tr> <tr> <td>4 PLACES</td> <td>± .005</td> <td>± .0005</td> </tr> <tr> <td>3 PLACES</td> <td>± .010</td> <td>± .0010</td> </tr> <tr> <td>2 PLACES</td> <td>± 0.13</td> <td>± .010</td> </tr> <tr> <td>1 PLACE</td> <td>± 0.25</td> <td>± .010</td> </tr> </table>		mm	INCH	4 PLACES	± .005	± .0005	3 PLACES	± .010	± .0010	2 PLACES	± 0.13	± .010	1 PLACE	± 0.25	± .010	DIMENSION STYLE IN/MM	TITLE
	mm	INCH																	
4 PLACES	± .005	± .0005																	
3 PLACES	± .010	± .0010																	
2 PLACES	± 0.13	± .010																	
1 PLACE	± 0.25	± .010																	
AM	DESCRIPTION	DRAFT WHERE APPLICABLE MUST REMAIN WITHIN DIMENSIONS	DRAWN BY GEO	DATE 1987/09/18	MOLEX INCORPORATED														
			CHECKED BY RW	DATE 1987/09/18	MATERIAL NO. SEE CHART	DOCUMENT NO. SD-2107-*	SHEET NO. 1 OF 2												
THIS DRAWING CONTAINS INFORMATION THAT IS PROPRIETARY TO MOLEX INCORPORATED AND SHOULD NOT BE USED WITHOUT WRITTEN PERMISSION			APPROVED BY RAS	DATE 1987/09/18															

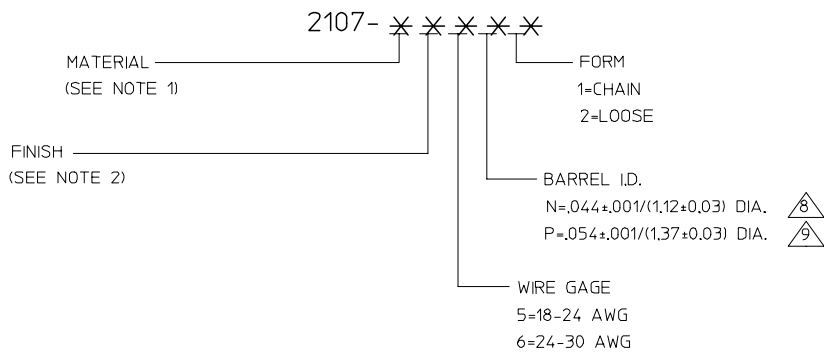
THESE TERM'S. MATE WITH
(.14)/.045 ROUND PIN

PART NO.	ENG. NO.	OLD ENG. NO.
02-05-1116	2107-1B6N1	2107-T
02-05-1117	2107-1B6N2	2107-TL
02-05-1104	2107-1B5N1	1929-T
02-05-1105	2107-1B5N2	1929-TL
02-05-3205	2107-2A5N2	2123-L
02-05-1204	2107-2B5N1	2123-T
02-05-1205	2107-2B5N2	2123-TL
02-05-1216	2107-2B6N1	2125-T
02-05-1217	2107-2B6N2	2125-TL
REL. TO MFG.	2107-1E5N1	-----
REL. TO MFG.	2107-1E5N2	-----
REL. TO MFG.	2107-1E6N1	-----
REL. TO MFG.	2107-1E6N2	-----

THESE TERM'S. MATE WITH
(.14)/.045 SQUARE PIN

PART NO.	ENG. NO.	OLD ENG. NO.
02-05-1115	2107-1B6P1	2107-1(P901)
02-05-1119	2107-1B6P2	2107-1(P901)L
02-05-1106	2107-1B5P1	-----
02-05-1107	2107-1B5P2	-----
REL. TO MFG.	2107-1D5P1	-----
REL. TO MFG.	2107-1D5P2	-----
REL. TO MFG.	2107-1G5P1	-----
REL. TO MFG.	2107-1G5P2	-----
REL. TO MFG.	2107-1D6P1	-----
REL. TO MFG.	2107-1D6P2	-----
REL. TO MFG.	2107-2A6P1	-----
REL. TO MFG.	2107-2A6P2	-----
REL. TO MFG.	2107-2A5P1	-----
REL. TO MFG.	2107-2A5P2	-----
02-05-1207	2107-2B5P1	-----
02-05-1208	2107-2B5P2	-----
02-05-5221	2107-2C5P1	-----
REL. TO MFG.	2107-2C5P2	-----
REL. TO MFG.	2107-2B6P1	-----
REL. TO MFG.	2107-2B6P2	-----
02-05-5223	2107-2C6P1	-----
REL. TO MFG.	2107-1E5P1	-----
REL. TO MFG.	2107-1E5P2	-----
REL. TO MFG.	2107-1E6P1	-----
REL. TO MFG.	2107-1E6P2	-----
02-05-5330	2107-2F5P1	-----
REL. TO MFG.	2107-2F5P2	-----
02-05-5332	2107-2F6P1	-----
REL. TO MFG.	2107-2F6P2	-----

LEGEND



- NOTES:
- MATERIALS:
1= CARTRIDGE BRASS
2= PHOSPHOR BRONZE
 - FINISHES:
A= (.999) UNPLATED
B= (P901) HOT TIN DIP .000020/(0.0005) MIN.
C= (P555) SELECT GOLD PLATE .000015/(0.00038) MIN. IN CONTACT AREA OVER .000030/(0.00076) MIN. NICKEL OVERALL.
D= (P562) SELECT GOLD PLATE .000020/(0.0005) MIN. IN CONTACT AREA OVER .000030/(0.00076) MIN. NICKEL OVERALL.
E= (P108) ELECTRO TIN PLATE .000035/(0.00089) MIN. OVER .000020/(0.0005) MIN. COPPER OVERALL.
F= (P561) SELECT GOLD PLATE .000030/(0.00076) MIN. IN CONTACT AREA OVER .000050/(0.00127) MIN. NICKEL OVERALL.
G= (P550) SELECT GOLD PLATE .000015/(0.00038) MIN. IN CONTACT AREA OVER .000030/(0.00076) MIN. NICKEL OVERALL WITH .000010/(0.00025) MAX. GOLD FLASH OVERALL.
 - PRODUCT SPECIFICATION: NOT AVAILABLE
 - PACKAGING INFORMATION: NOT AVAILABLE
 - THESE TERMINALS FOR USE WITH .045/(.14) ROUND AND SQUARE PINS.
 - THESE TERMINALS WILL ACCEPT STRANDED WIRE WITH .031/(0.79) MAX. THICK INSULATION.

- $\triangle 7$ A 2° MAX. ANGLE IS ALLOWED.
- $\triangle 8$ MATES WITH .045/(.14) ROUND PIN.
- $\triangle 9$ MATES WITH .045/(.14) SQUARE PIN.
- $\triangle 10$ WITH TERMINAL CRIMPED TO WIRE, TERMINAL TO WITHSTAND 2.5 POUNDS MINIMUM FORCE WITHOUT FRACTURE WHEN FORCE IS APPLIED IN DIRECTION SHOWN AT A RATE OF 2 IN./MIN.

REVISED/REDRAWN EC NO: UCP/2004-1861 DRWNR:HOLTS 2004/08/06 CHKD:FSMITH 2004/08/09 APPR:FSMITH 2004/08/10 AM	QUALITY SYMBOLS	GENERAL TOLERANCES (UNLESS SPECIFIED)	SCALE --- INCH	DESIGN UNITS INCH	THIRD ANGLE PROJECTION	REVISE ON CAD ONLY	
	DESCRIPTION ▽ = 0 ▽ = 0	mm INCH	DIMENSION STYLE IN/MM	TITLE	CRIMP TERMINAL, FEMALE FOR .045/(.14) PINS 18-30 AWG WIRE		
		4 PLACES ± --- ± ---	DRAWN BY GEP DATE 1987/09/18	MOLEX MOLEX INCORPORATED SEE CHART SD-2107-* SHEET NO. 2 OF 2			
		3 PLACES ± --- ± ---	CHECKED BY RW DATE 1987/09/18				
2 PLACES ± --- ± ---	APPROVED BY RAS DATE 1987/09/18	MATERIAL NO. DOCUMENT NO.		SHEET NO.			
1 PLACE ± --- ± ---	DRAFT WHERE APPLICABLE MUST REMAIN WITHIN DIMENSIONS		THIS DRAWING CONTAINS INFORMATION THAT IS PROPRIETARY TO MOLEX INCORPORATED AND SHOULD NOT BE USED WITHOUT WRITTEN PERMISSION				